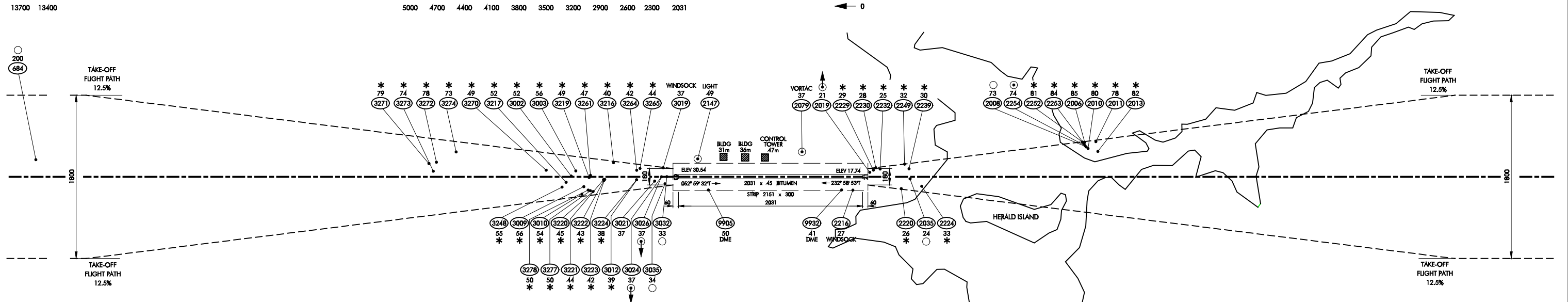
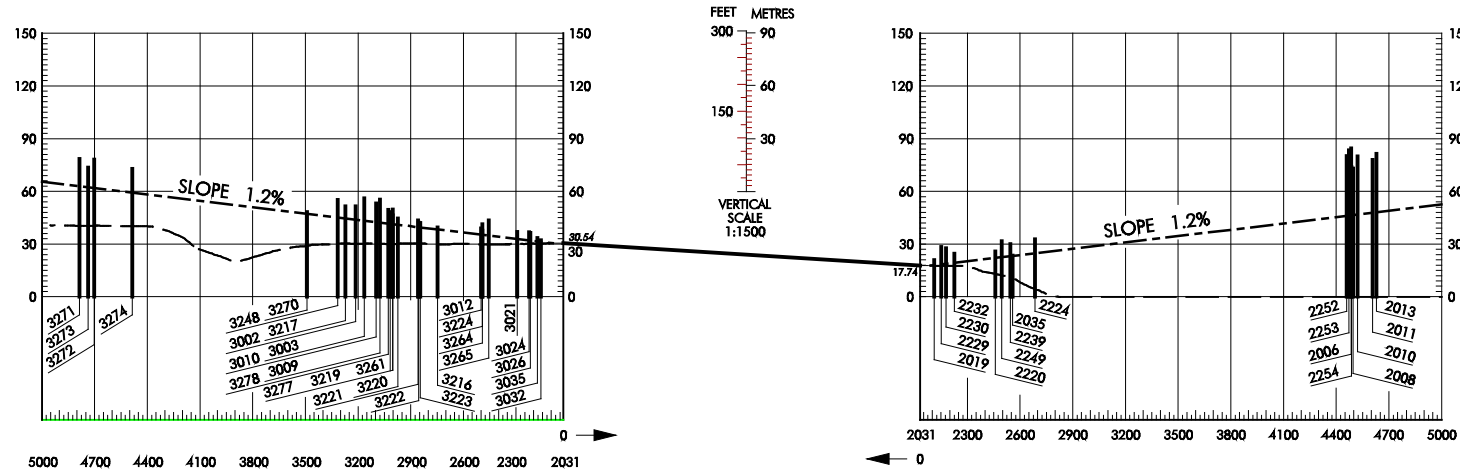
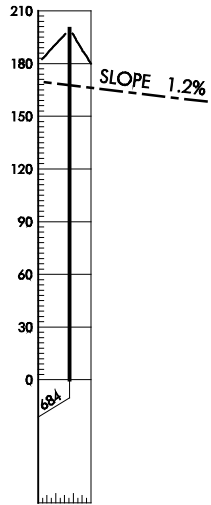


MAGNETIC VARIATION 1° 31.2' EAST
JAN 2005 ANNUAL INCREASE 2.0'

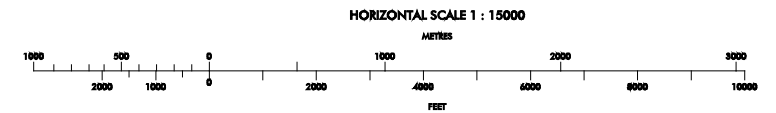


WHENUAPAI AIRPORT, NEW ZEALAND		
RUNWAY 03 - 21		
DECLARED DISTANCES		
RWY 03		RWY 21
2031	TAKE-OFF RUN AVAILABLE	2031
2091	TAKE-OFF DISTANCE AVAILABLE	2091
2031	ACCELERATE STOP DISTANCE AVAILABLE	2031
2031	LANDING DISTANCE AVAILABLE	2031



LEGEND	
OBSTRUCTION TYPE (refer below)	
TOP ELEVATION (metres) AMSL	100
IDENTIFICATION NUMBER	0084
TREE(S)	*
BUILDING	■
POLE, TOWER, ANTENNA etc	⊙
MOBILE OBSTRUCTION (ship, yacht, vehicle)	⊙ →
APPROX TERRAIN CONTOUR (on centreline)	— — —
OTHER OBSTRUCTION (Roof top, TV aerial, ground etc)	○

- NOTES
- The effective numbers are intentionally NOT consecutive but relate to original survey numbers
 - Accuracy within ICAO specifications
 - Tree heights as of December 2004
 - Tree growth rate 1m per year.
 - The origin of the 2% surface is at the end of strip.



AMENDMENT RECORD		
No	DATE	ENTERED BY